

THIS DRAWING IS UNPUBLISHED. RELEASED FOR PUBLICATION  
 © COPYRIGHT - By - ALL RIGHTS RESERVED.

| LOC |     | DIST        |  | REVISIONS                 |           |      |    |
|-----|-----|-------------|--|---------------------------|-----------|------|----|
| P   | LTR | DESCRIPTION |  | DATE                      | DWN       | APVD |    |
| CM  | 00  | J           |  | REVISED PER ECR-13-008204 | 10DEC2013 | KH   | TM |

1 0.00076[.000030] MIN GOLD AT POINT OF MEASUREMENT IN THE LOCALIZED GOLD PLATE AREA, 0.00127[.000050] MIN TIN-LEAD IN TIN-LEAD PLATE AREA, 0.00127[.000050] MIN NICKEL UNDERPLATE ON ENTIRE CONTACT.

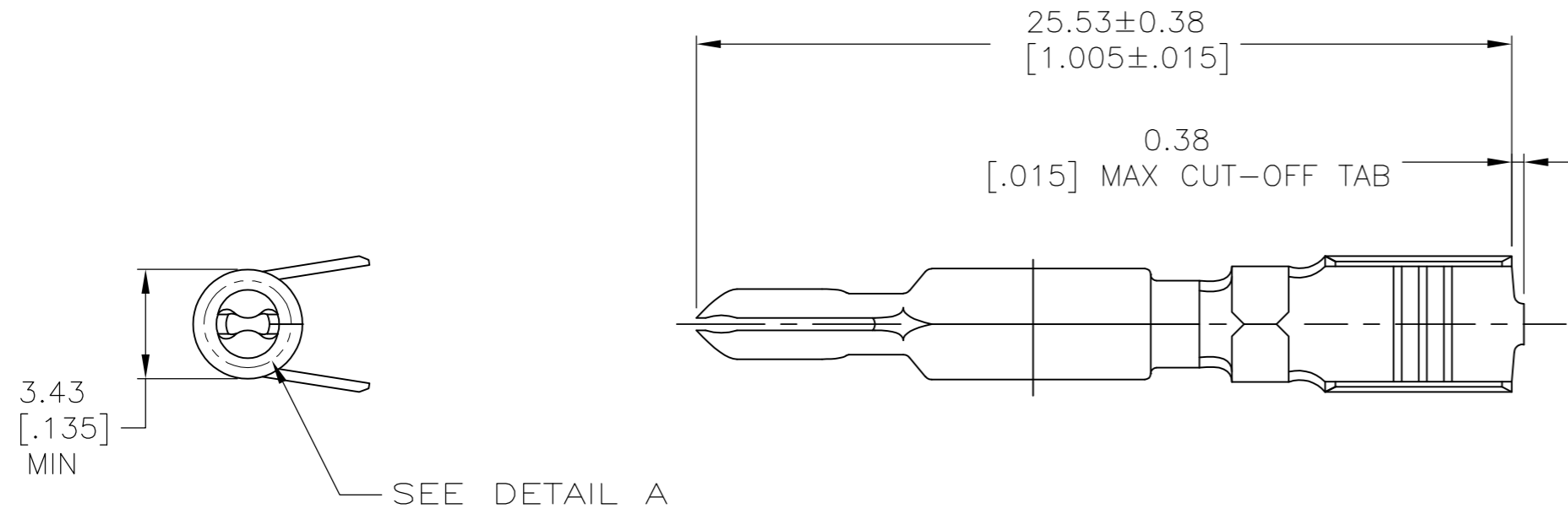
2 WIRE RANGE: 3-6mm<sup>2</sup> [12-10 AWG].

3 DIMENSIONS IN BRACKETS ARE IN INCHES.

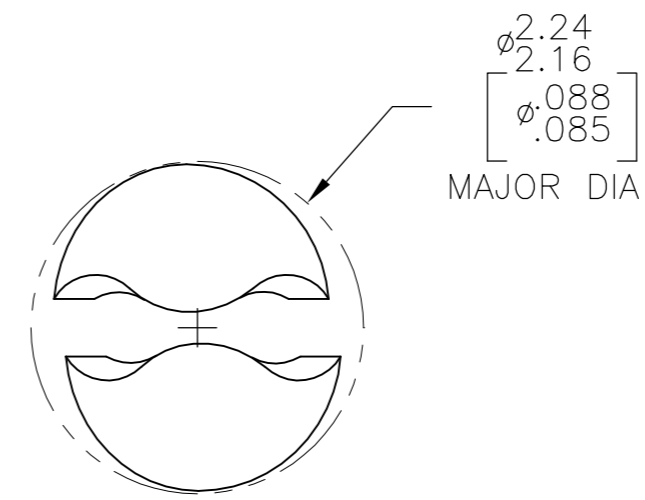
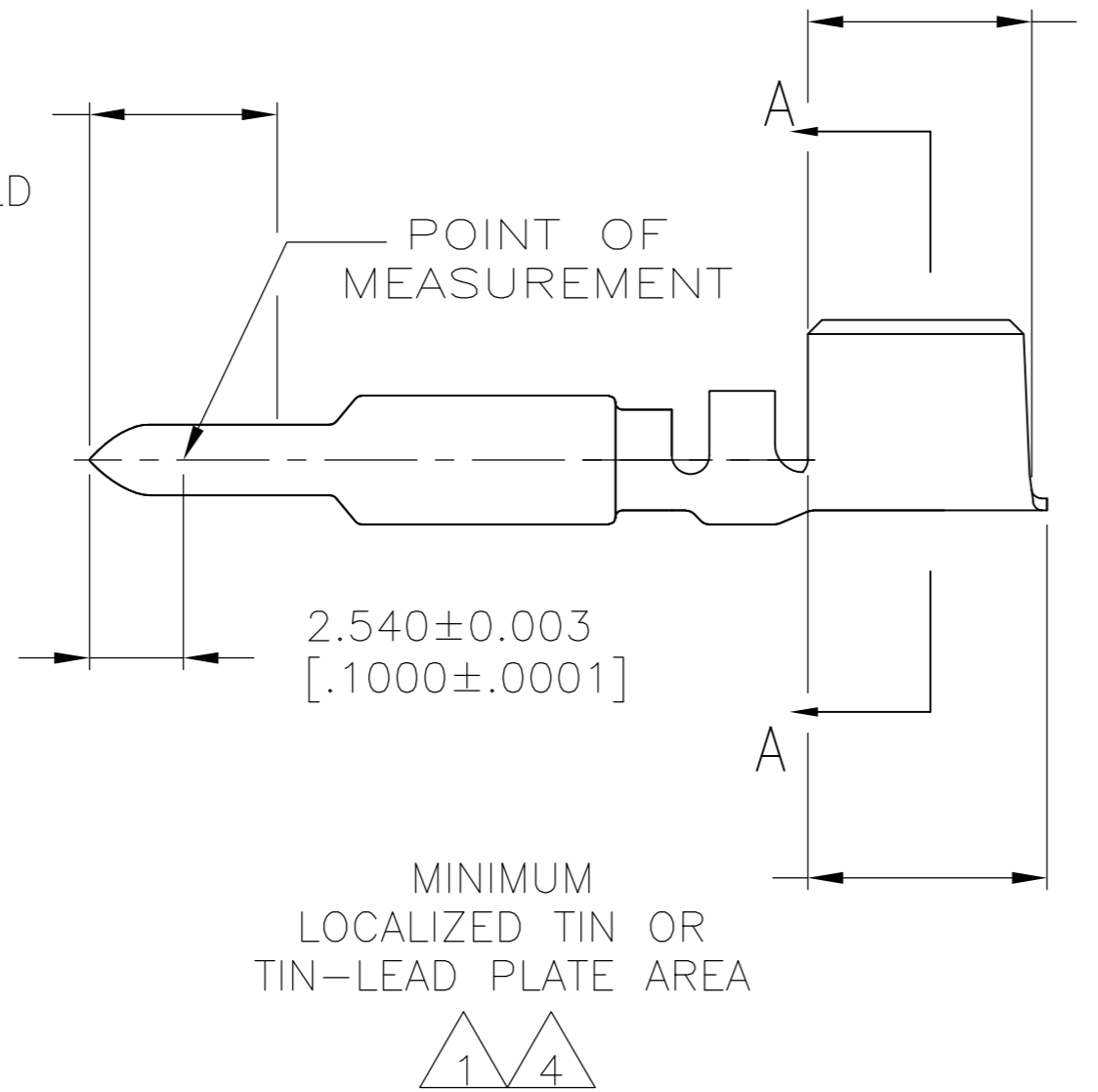
4 0.00076[.000030] MIN GOLD AT POINT OF MEASUREMENT IN THE LOCALIZED GOLD PLATE AREA, 0.00127[.000050] MIN. TIN IN TIN PLATE AREA, 0.00127[.000050] MIN. NICKEL UNDERPLATE ON ENTIRE CONTACT.

5 THIS CONTACT HAS NO INSULATION BARREL.

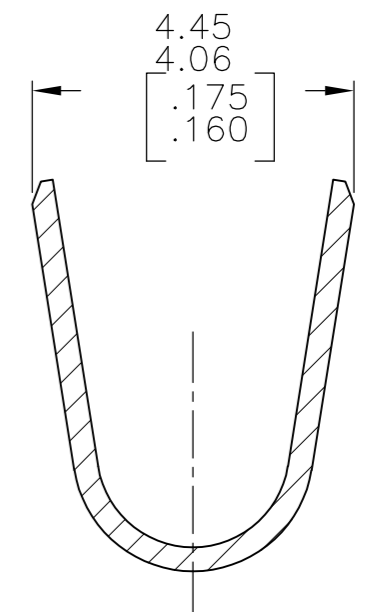
6 SUPERCEDED BY 1-770246-0.



5.08  
[.200] MIN  
LOCALIZED GOLD  
PLATE AREA  
1 4



DETAIL A  
SCALE 20:1



SECTION A-A  
SCALE 10:1

|   |         |                    |             |
|---|---------|--------------------|-------------|
| 6 | GOLD 4  | 0.30 [.012] PH BRZ | 1-770246-0  |
|   | GOLD 1  | 0.30 [.012] PH BRZ | -770246-4-  |
|   | PRE-TIN | 0.30 [.012] PH BRZ | 770246-3    |
|   | FINISH  | MATERIAL           | PART NUMBER |

| DIMENSIONS: |          | TOLERANCES UNLESS OTHERWISE SPECIFIED: |     | DWN          |         | CHK              |         | APVD     |         | NAME            |            |
|-------------|----------|--|-----|--------------|---------|------------------|---------|----------|---------|-----------------|------------|
| mm          | [INCHES] | 0 PLC                                  | ± - | K. WHITAKER  | 02APR04 | C.JONES          | 02APR04 | C.JONES  | 02APR04 | TE Connectivity |            |
|             |          | 1 PLC                                  | ± - | PRODUCT SPEC |         | APPLICATION SPEC |         | WEIGHT   |         | SIZE            | CAGE CODE  |
|             |          | 2 PLC                                  | ± - | FINISH       |         | WEIGHT           |         | A2       |         | 00779           | DRAWING NO |
|             |          | 3 PLC                                  | ± - | MATERIAL     |         | CUSTOMER DRAWING |         | C=770246 |         | SCALE           | SHEET      |
|             |          | 4 PLC                                  | ± - | FINISH       |         | CUSTOMER DRAWING |         | SCALE    |         | 5:1             | 1 of 1     |
|             |          | ANGLES                                 | ± - | FINISH       |         | CUSTOMER DRAWING |         | SCALE    |         | 5:1             | REV        |
|             |          |  |     | FINISH       |         | CUSTOMER DRAWING |         | SCALE    |         | 5:1             | J          |

770246

A